



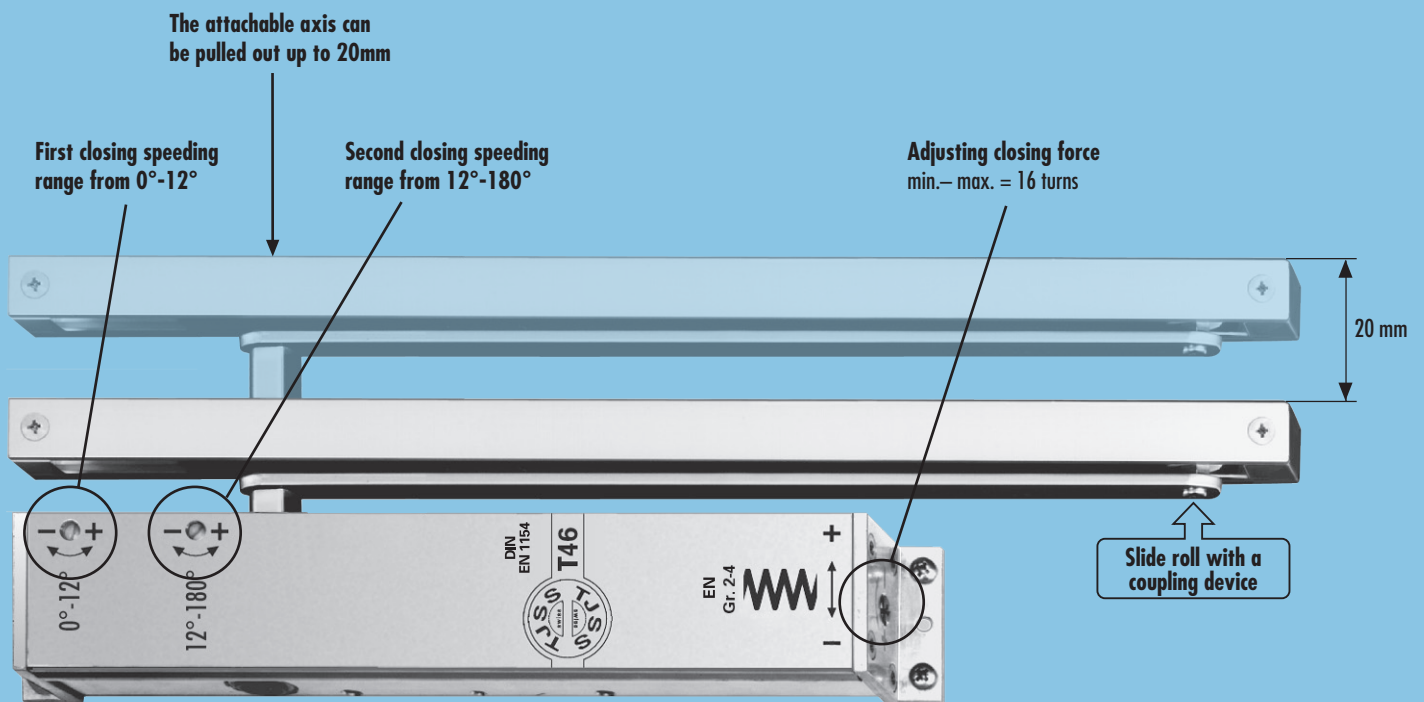
TJSS T46

The slide rail door closer



User comfort & Functionality in Swiss quality

Features



TJSS T46. The slide rail door closer

Over 60 years experience in the construction of door openers has been invested in the slim housing of the TJSS T46. Optimised with respect to efficiency, a long lifecycle and installation-friendly, it offers the greatest movement comfort for door widths of 0.6 to 1.1m.

Advantages

Efficiency: With the same closing force TJSS door closers have up to 50% less friction than competing products, thanks to the use of Teflon-coated pistons. Your benefit: noticeably smoother closing doors!

Installation friendly: Lateral assembly flanges and pull-out axis make it possible to install the T46 even in difficult situations. Various special designs are available for special cases.

Temperature stability: No matter whether it is summer or winter, the patented thermo-stable regulation valves prevent varying closing speeds at changing temperatures.

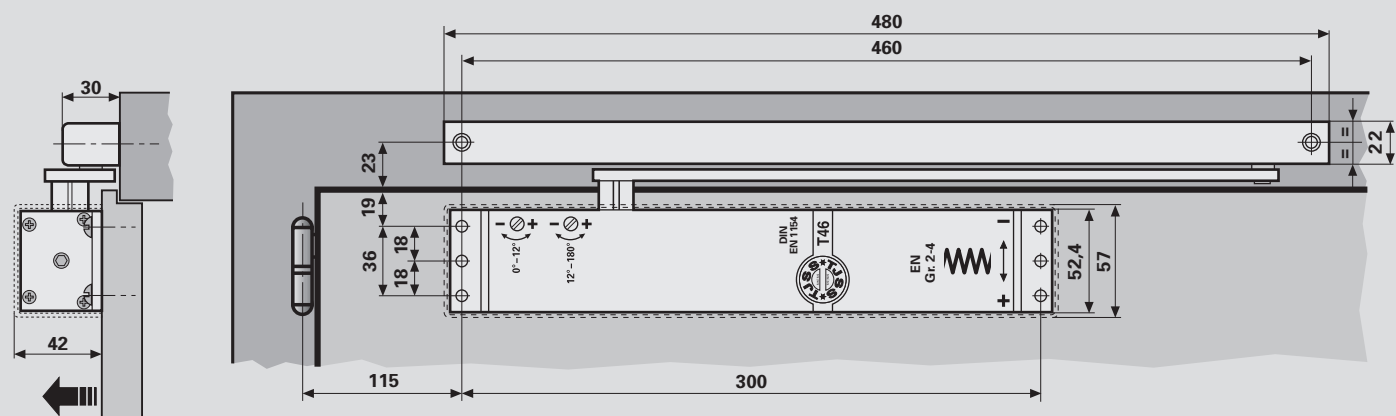
Service & Customer proximity: We offer a reliable all round service as well as competent problem solutions in difficult cases.

Swiss made: TJSS door closers are produced in Switzerland and represent the highest precision and quality, therefore they come with a manufacturer warranty of five years.



Dimensional drawing

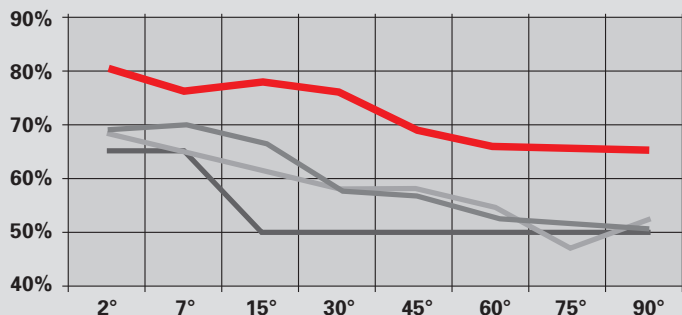
The door closer is assembled according to a template included in the scope of delivery.



Efficiency T46

Efficiency is one of the most important aspects in the construction of door closers. This determines the necessary opening force and likewise the closing force - a central factor for children and the infirm elderly alike when there are no barriers.

The TJSS T46 reaches an efficiency of almost 80% thanks to its Teflon-coated pistons and a slide rail roller. It exhibits 50% less friction than competing products – for noticeably smoother closing doors!



TJSS T46

Produits concurrents du TJSS T46

— Produit concurrent 1

— Produit concurrent 2

— Indications selon la norme 1154

Data and characteristics

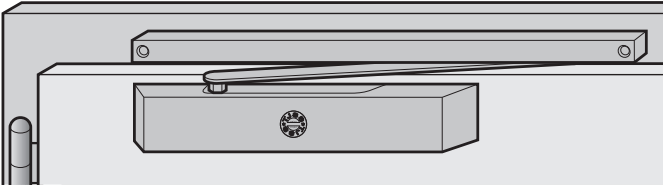
Description	T46
Art.no.	3.16.x
Size (EN)	2-4
Interior door: max. Width/Weight	1.1m/80kg
External door: Width/Weight	1.0m/80kg
Max. opening angle	180°
For fire doors	yes
Same design DIN-L/DIN-R	yes
Mounting panel possible	yes
Closing force infinitely variable	yes
Latching with a valve	yes
Backcheck	yes
Opening restrictor	optional
Closing delay	–
Mechanical locking device	optional
For round arc doors	–
Tested acc. to EN 1154	yes
Length (mm)	323
Depth (mm)	42
Height (mm)	58
Net weight (kg)	1.8
Gross weight (kg)	2.7

For more information visit www.tjss.ch



Mounting methods

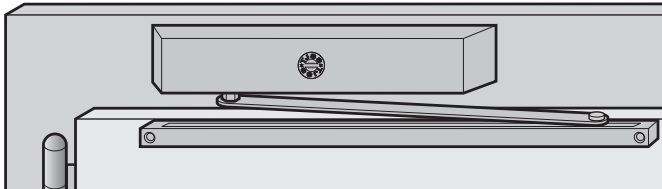
T46: pull side standard installation



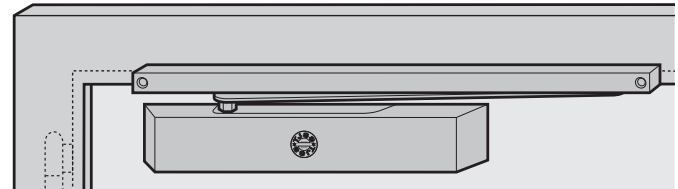
T46: push side top jamb installation



T46G: push side standard installation



T46G: pull side top jamb installation



Special designs

Art.no.	Model	Description
3.17.x	T46G	For push side standard installation or pull side top jamb installation
3.18.x	T46R	Anti-corrosion protection for outdoor use
4.02.x	T46GSR	Closing sequence controller for 2-leaf doors
4.11.x	T46EF	With an electric locking device for fire doors
4.13.x	T46EMF	With electromagnetic locking device for fire doors

Colours

Art.no.	Colour	Colour swatch
x.xx.1	Silver	
x.xx.2	White	
x.xx.4	Dark brown	
x.xx.9	Special colours	RAL/NCS (subject to a surcharge)

Accessories

Locking device	Opening delimiter	Slide rail for ceiling installation	Mounting plate for slide	Glass door casing	Universal-installation plate
Art.no. 3.21.x	Art.no. 3.27.x	Art.no. 3.30.x	Art.no. 3.39.x	Art.no. 2.36.x	Art.no. 2.39.x
Setting range from 60° to 135°, can also be used in combination with the opening delimiter	The opening delimiter slows the door down at the desired opening angle	For counter-hinge-side door leaf installation (with T46G)	For unusual space conditions	To fix the door closer onto doors made completely of glass (no drilling necessary)	To install TJSS-door closers into existing drill-holes of other makes of door closers

