



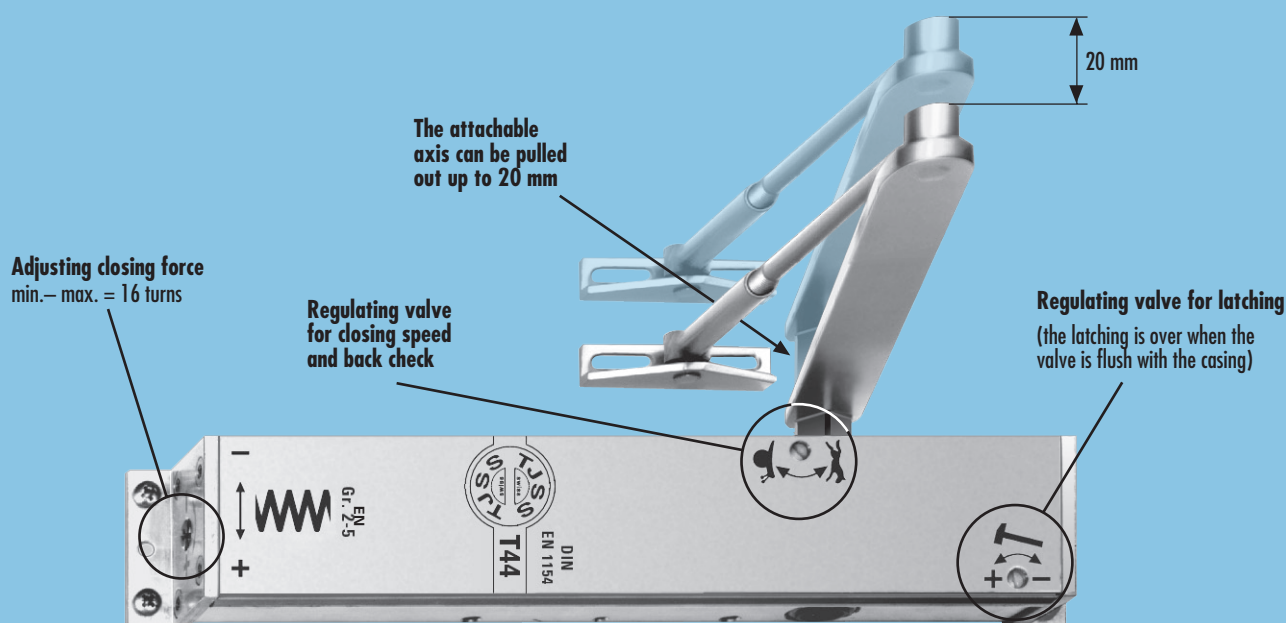
TJSS T44

The door closer with arm



User comfort & Functionality in Swiss quality

Features



TJSS T44. The door closer with arm

Over 60 years experience in the construction of door openers has been invested in the slim housing of the TJSS T44. Optimised with respect to efficiency, a long lifecycle and installation-friendly, it offers the greatest movement comfort for door widths of 0.6 to 1.4m.

Advantages

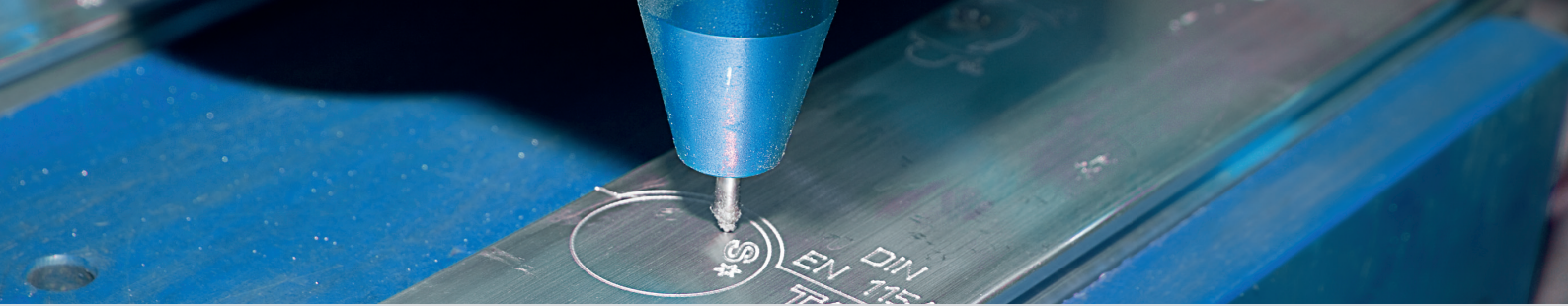
Efficiency: With the same closing force TJSS door closers have up to 50% less friction than competing products, thanks to the use of Teflon-coated pistons. Your benefit: noticeably smoother closing of doors!

Installation friendly: Lateral assembly flanges and pull-out axis make it possible to install the T44 even in difficult situations. Various special designs are available for special cases.

Temperature stability: No matter whether it is summer or winter, the patented thermo-stable regulation valves prevent varying closing speeds at changing temperatures.

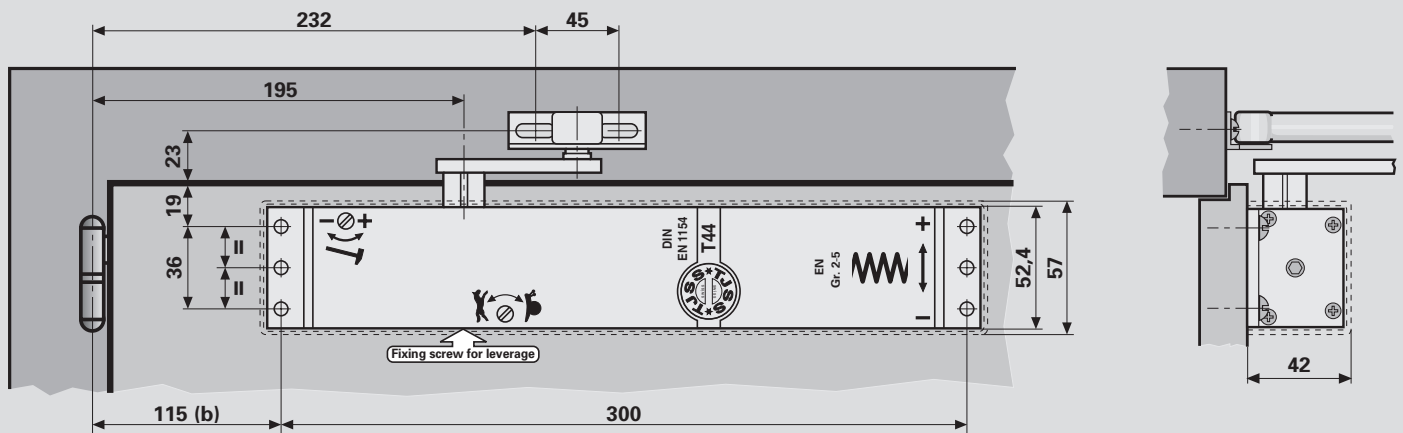
Service & Customer proximity: We offer a reliable all round service as well as competent problem solutions in difficult cases.

Swiss made: TJSS door closers are produced in Switzerland and represent the highest precision and quality, therefore they come with a manufacturer warranty of five years.



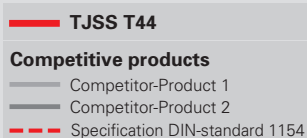
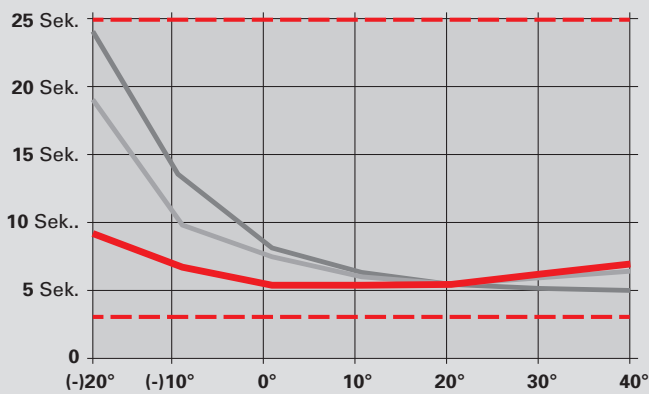
Dimensional drawing

The door closer is assembled according to a template included in the scope of delivery.



Temperature stability T44

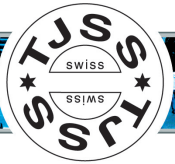
Most door openers exhibit large fluctuations in their closing speed when the temperature changes, even right at the start of the changeover to the cold season. Result: slow creeping doors in the winter and doors that spring shut in the summer. The TJSS T44 has patented thermo-stable regulation valves and so it is far superior to its competitors in matters regarding temperature stability: The regular readjustment of the door opener is no longer necessary.



Data and characteristics

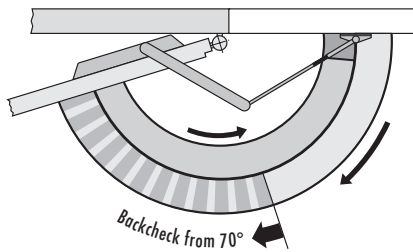
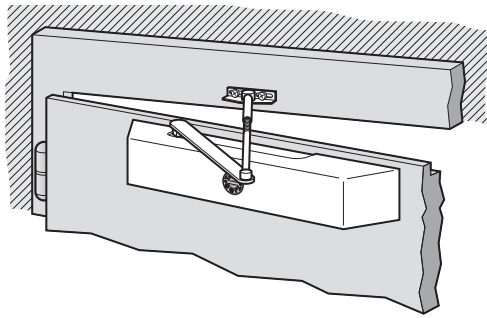
Description	T44	T44 V
Art.no.	2.01.x	2.02.x
Size (EN)	2-5	4-6
Interior door: max. width/weight	1.25m/110kg	1.40m/140kg
External door: max. width/weight	1.15m/110kg	1.30m/140kg
Max. opening angle	180°	180°
For fire doors	yes	yes
Same design DIN-L/DIN-R	yes	yes
Mounting panel possible	yes	yes
Closing force infinitely variable	yes	yes
Latching with a valve	yes	yes
Backcheck	yes	yes
Opening restrictor	optional	optional
Closing delay	optional	-
Mechanical locking device	optional	optional
For round arc doors	optional	optional
Tested acc. to EN 1154	yes	yes
Length (mm)	323	323
Depth (mm)	42	42
Height (mm)	58	58
Net weight (kg)	1.7	1.8
Gross weight (kg)	2.4	2.5

For more information visit www.tjss.ch

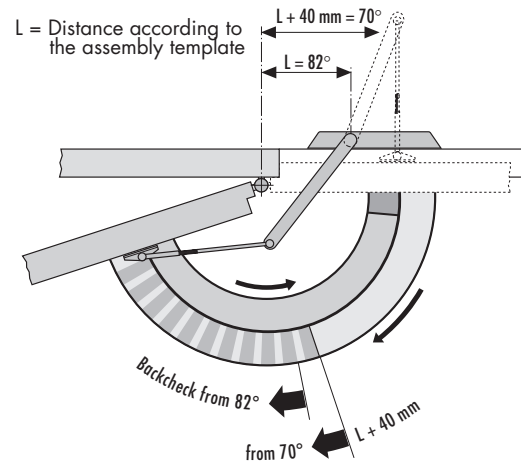
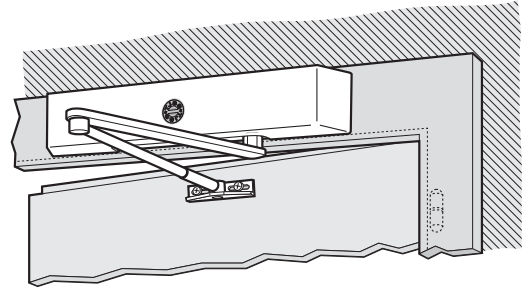


Mounting methods

Pull side standard installation



Push side top jamb installation



Special designs

Art.no.	Model	Description
2.03.x	T44 S	With integrated adjustable closing delay
2.04.x	T44 R	Anti-corrosion protection for outdoor use
2.06.x	T44 B	For round arc doors, without backcheck
2.07.x	T44 AA	With reinforced and adjustable backcheck

All special designs are available in sizes 2-5 and 4-6

Colours

Art.no.	Colour	Colour swatch
x.xx.1	Silver	
x.xx.2	White	
x.xx.4	Dark brown	
x.xx.9	Special colours	RAL/NCS (subject to a surcharge)

Accessories

Locking device	Lintel casing bracket	Flat bars	Bars with safety catch	Glass door casing	Universal-installation plate
Art.no. 2.21.x	Art.no. 2.22.x	Art.no. 2.23.x	Art.no. 2.27.x	Art.no. 2.36.x	Art.no. 2.39.x
3-step retention force settings; The retention angle can be freely selected from 15°-180°	For the installation of door closers under the lintel	With limited space above the door (only requires 12mm of space)	Prevents unhooking by unauthorised individuals	To fix the door closer onto doors made completely from glass (no drilling necessary)	To install TJSS-door closers into existing drill-holes of other makes of door closers